

The information in this document is subject to change without notice and should not be construed as a commitment by ABB. ABB assumes no responsibility for any errors that may appear in this document.

Except as may be expressly stated anywhere in this document, nothing herein shall be construed as any kind of guarantee or warranty by ABB for losses, damages to persons or property, fitness for a specific purpose or the like.

In no event shall ABB be liable for incidental or consequential damages arising from use of this document.

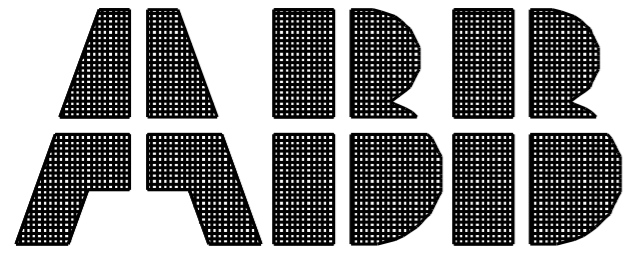
This document and parts thereof must not be reproduced or copied without ABB's written permission, and contents thereof must not be imparted to a third party nor be used for any unauthorized purpose. Contravention will be prosecuted.

Additional copies of this document may be obtained from ABB at its then current charge.

© Copyright 2004 ABB ALL right reserved.

ABB Automation Technologies AB
Robotics
SE-721 68 Västerås
Sweden

Latest revision:			Lab/Office: PAW	SMB 4 axis ABB COPYRIGHT	Status: APPROVED	Plant: = Location: + Sublocation: +	Rev. Ind	Page 1
Prepared by, date:	Approved by, date:					Document no. 3HEA801154-002	03	Next 2 Total 13



Description : SMB 4 axis
 Drawing number : 3HEA801154-002
 Drawing version : 03
 Date : 2009-02-06

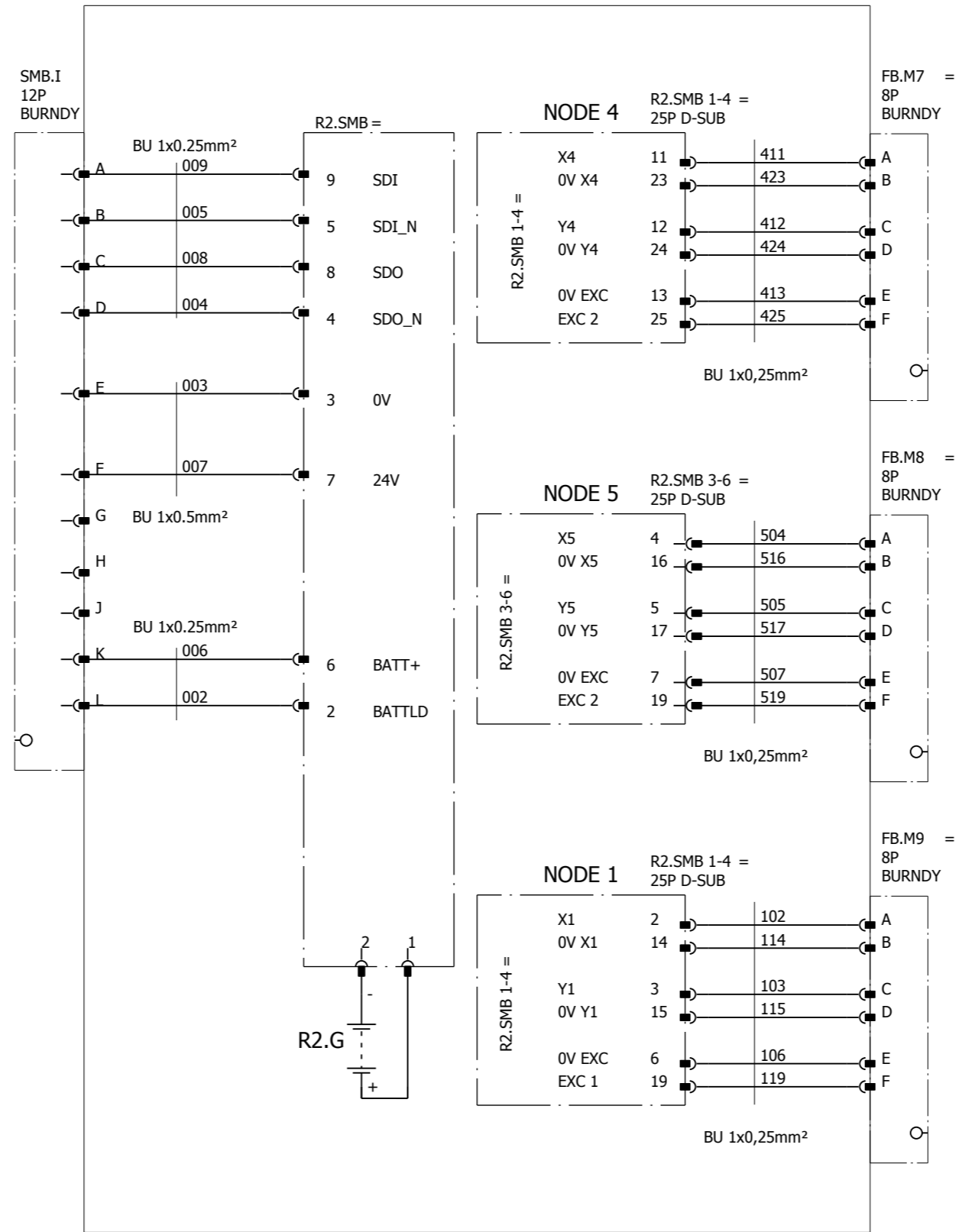
Customer :
 Year of construction : 2009
 :
 :
 :
 :
 :
 :

Drawn by : PAW/JS
 Number of pages : 13
 :
 :
 :
 :

We reserve all rights in this document and in the information contained therein. Reproduction, use or disclosure to third parties without express authority is strictly forbidden. © Copyright 2003 ABB

Latest revision:			Lab/Office: PAW	SMB 4 axis	Status: APPROVED	Plant: = Location: + Sublocation: +	Rev. Ind	Page 2
Prepared by, date:	Approved by, date:				TITLE PAGE	Document no. 3HEA801154-002	03	Next 3 Total 13

SERIAL MEASUREMENT UNIT



We reserve all rights in this document and in the information contained therein. Reproduction, use or disclosure to third parties without express authority is strictly forbidden. © Copyright 2003 ABB

Latest revision:
Rev. 03:Wire type changed(3-5)

Prepared by, date: _____ Approved by, date: _____



Lab/Office:
PAW

SMB 4 axis
SIGNAL/RESOLVER M7,M8,M9

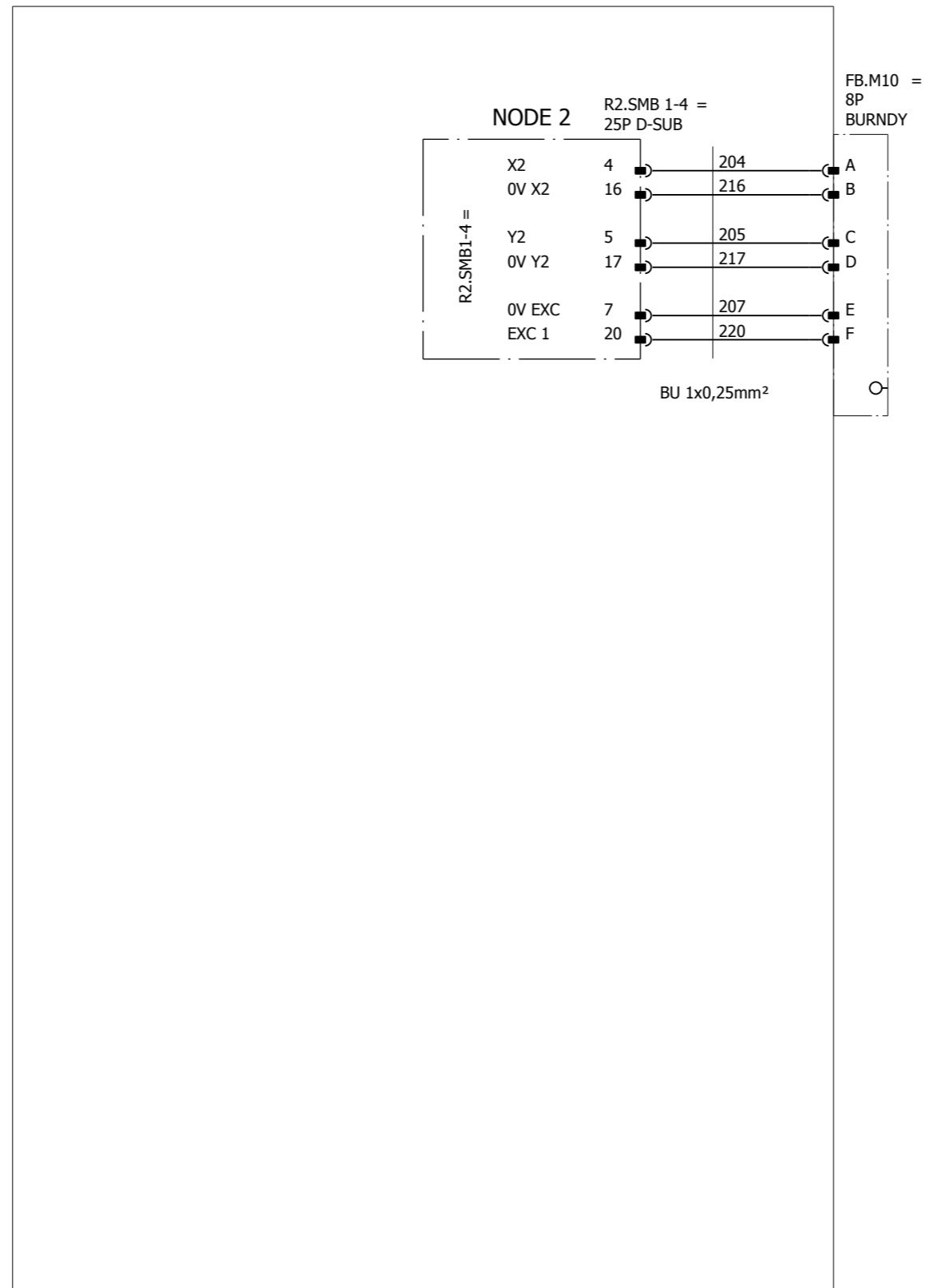
Status:
APPROVED

Plant: =
Location: +
Sublocation: +

Document no.
3HEA801154-002

Rev. Ind Page 4
Next 5
Total 13

SERIAL MEASUREMENT UNIT



We reserve all rights in this document and in the information contained therein. Reproduction, use or disclosure to third parties without express authority is strictly forbidden. © Copyright 2003 ABB

Latest revision:
Rev. 03:Wire type changed(5)

Prepared by, date: _____ Approved by, date: _____



Lab/Office:
PAW

SMB 4 axis
SIGNAL/RESOLVER M10

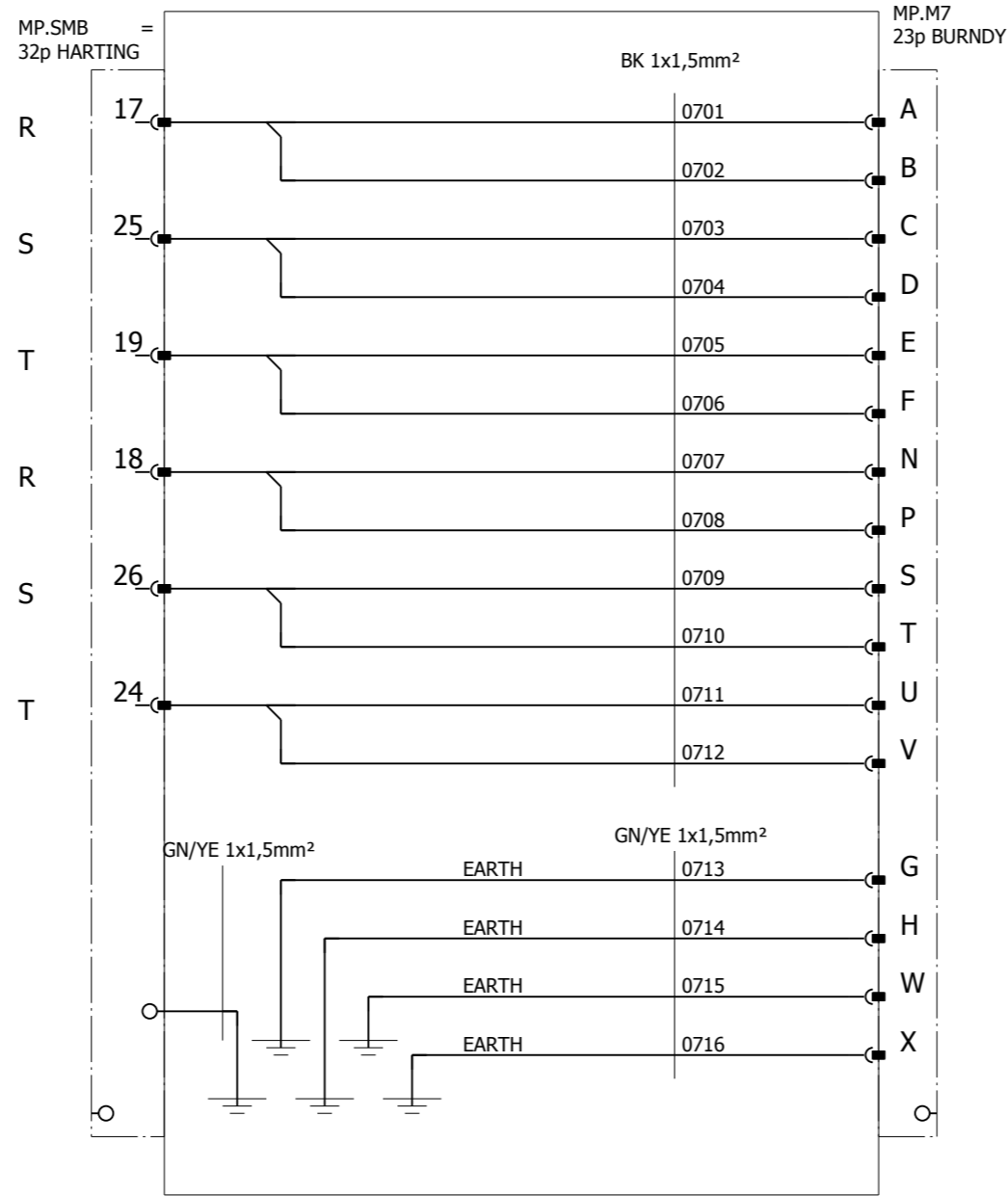
Status:
APPROVED

Plant: =
Location: +
Sublocation: +

Document no.
3HEA801154-002

Rev. Ind Page 5
Next 6
Total 13

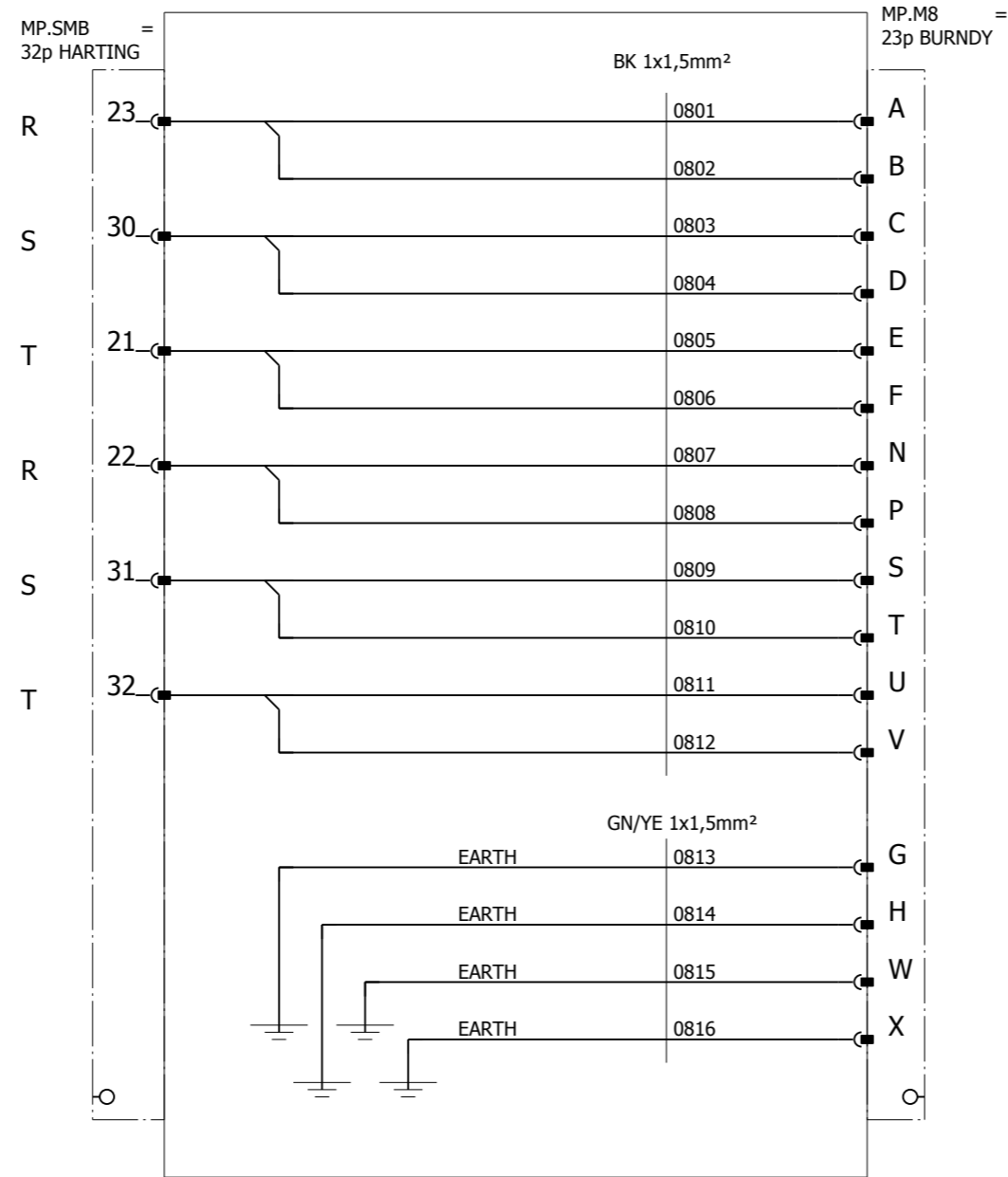
SERIAL MEASUREMENT UNIT



We reserve all rights in this document and in the information contained therein. Reproduction, use or disclosure to third parties without express authority is strictly forbidden. © Copyright 2003 ABB

Latest revision: Rev. 03:Wire type changed(4-5)		ABB	Lab/Office: PAW	SMB 4 axis MOTOR POWER M7	Status: APPROVED	Plant: = Location: + Sublocation: +
Prepared by, date:	Approved by, date:		Document no. 3HEA801154-002		Rev. Ind 03	Page 6 Next 7 Total 13

SERIAL MEASUREMENT UNIT



We reserve all rights in this document and in the information contained therein. Reproduction, use or disclosure to third parties without express authority is strictly forbidden. © Copyright 2003 ABB

Latest revision:
Rev. 03:Wire type changed(4-5)

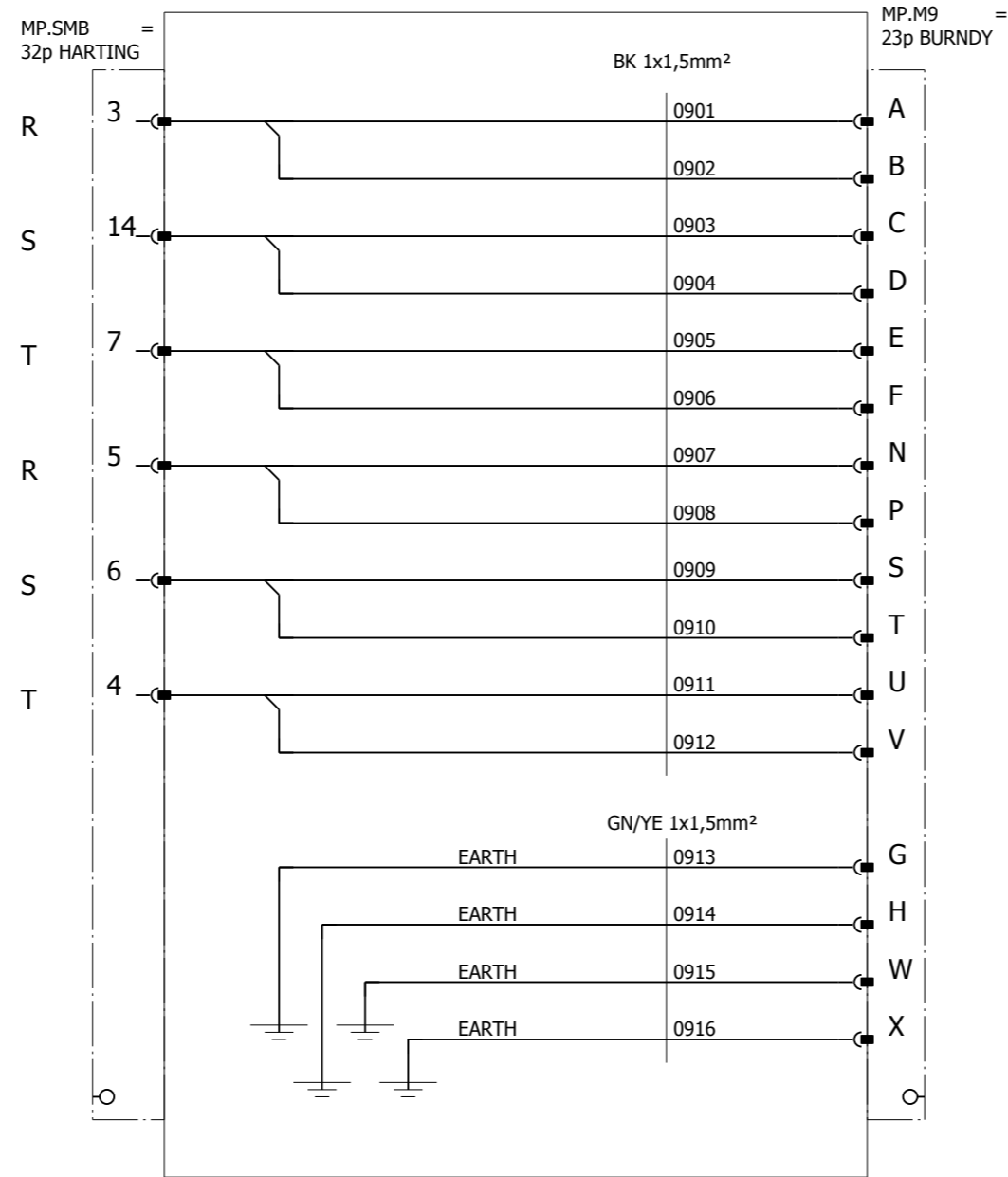
Prepared by, date: _____ Approved by, date: _____

ABB Lab/Office:
PAW


SMB 4 axis
MOTOR POWER M8

Status: APPROVED	Plant: = Location: + Sublocation: +
Document no. 3HEA801154-002	Rev. Ind 03
	Page 7 Next 8 Total 13

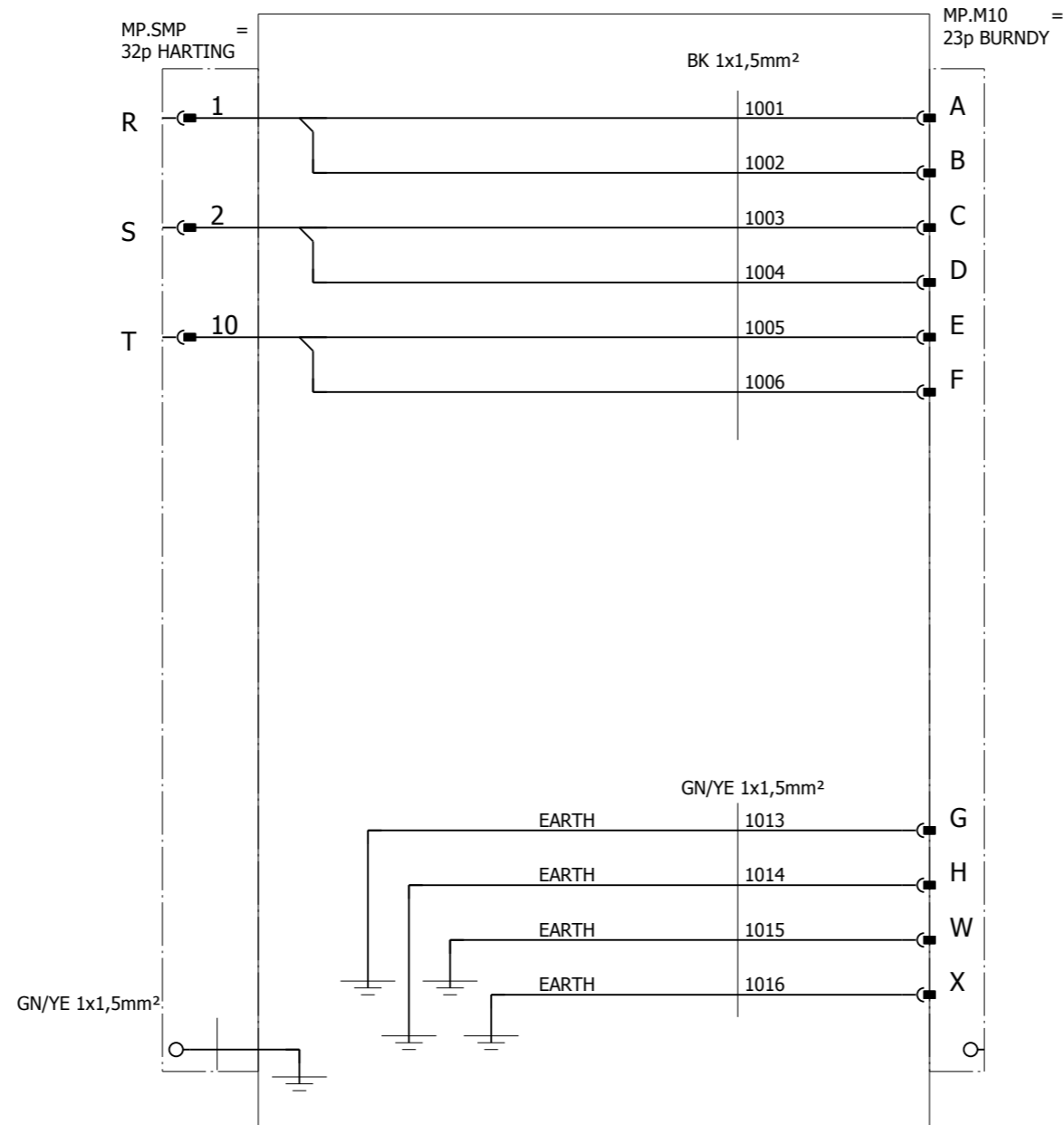
SERIAL MEASUREMENT UNIT



We reserve all rights in this document and in the information contained therein. Reproduction, use or disclosure to third parties without express authority is strictly forbidden. © Copyright 2003 ABB

Latest revision: Rev. 03:Wire type changed(4-5)	 Lab/Office: PAW	SMB 4 axis MOTOR POWER M9	Status: APPROVED	Plant: = Location: + Sublocation: +
Prepared by, date:			Approved by, date:	Document no. 3HEA801154-002

SERIAL MEASUREMENT UNIT



We reserve all rights in this document and in the information contained therein. Reproduction, use or disclosure to third parties without express authority is strictly forbidden. © Copyright 2003 ABB

Latest revision:
Rev. 03:Wire type changed(4-5)

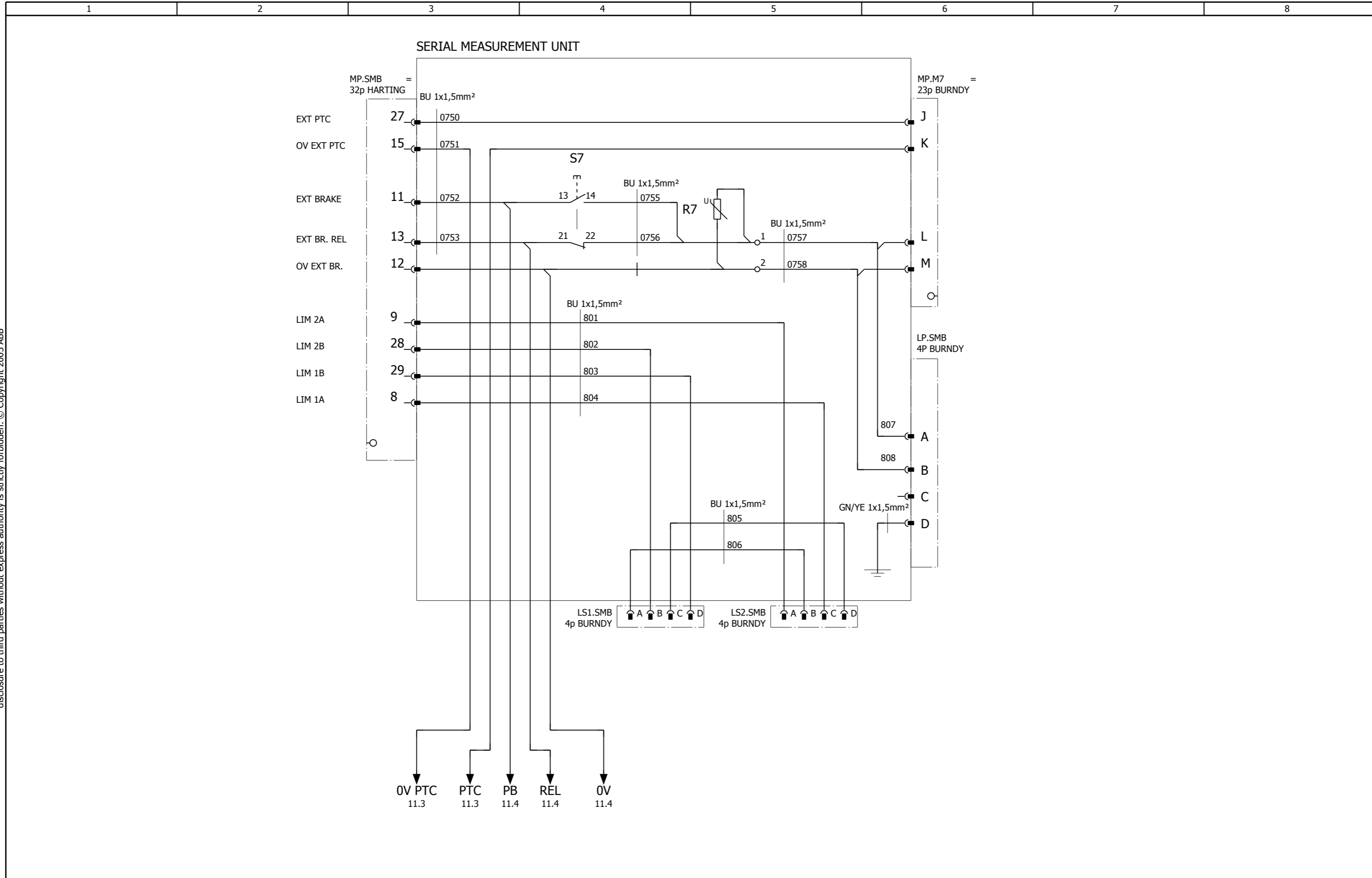
Prepared by, date: _____ Approved by, date: _____

ABB Lab/Office:
PAW

SMB 4 axis
MOTOR POWER M10

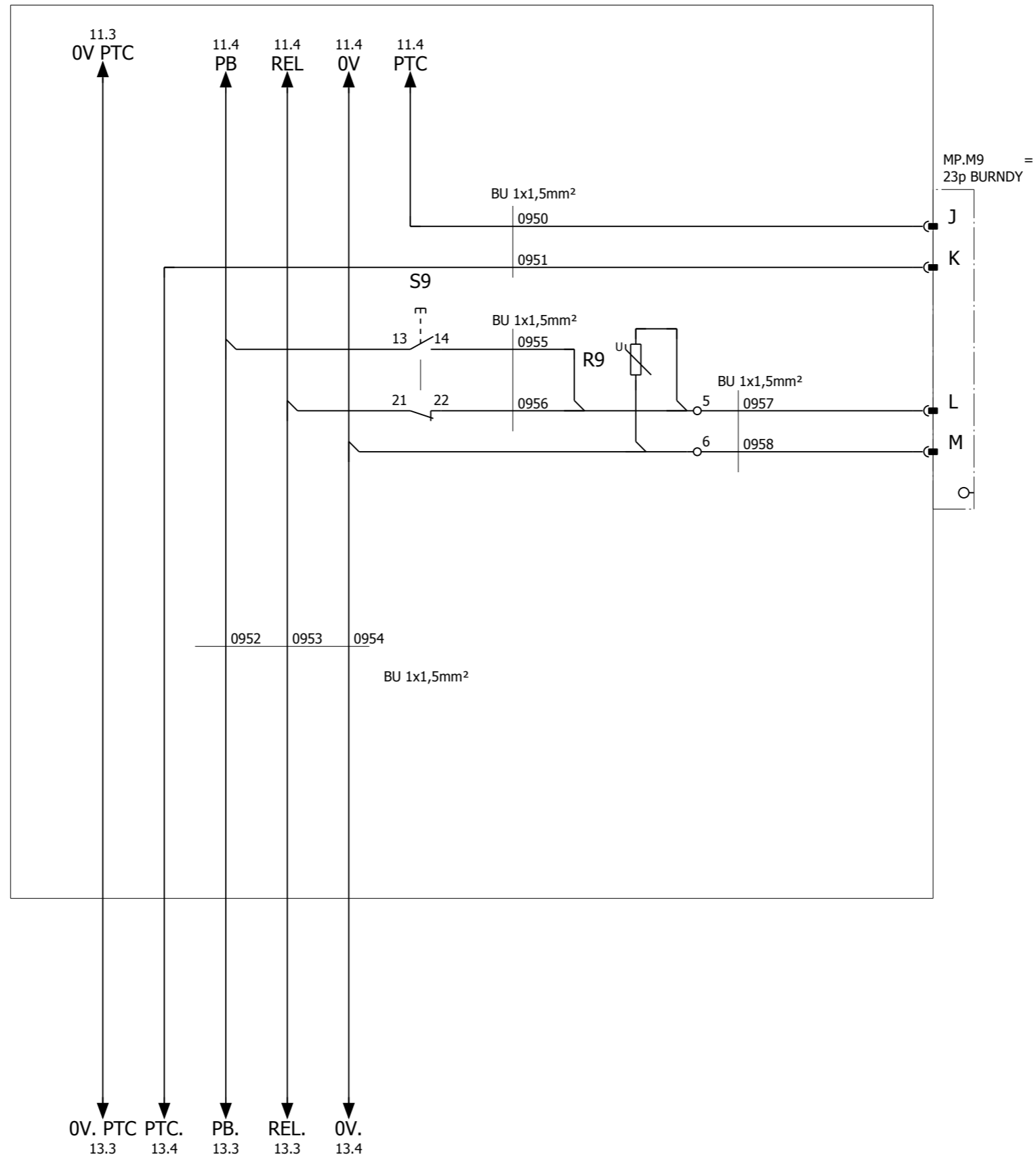
Status: APPROVED	Plant: = Location: + Sublocation: +
Document no. 3HEA801154-002	Rev. Ind 03
	Page 9 Next 10 Total 13

We reserve all rights in this document and in the information contained therein. Reproduction, use or disclosure to third parties without express authority is strictly forbidden. © Copyright 2003 ABB



Latest revision: Rev. 03:Wire type changed(3-6)		ABB	Lab/Office: PAW	SMB 4 axis BRAKE/PTC M7, LS1, LS2, LP	Status: APPROVED	Plant: = Location: + Sublocation: +
Prepared by, date:	Approved by, date:				Document no. 3HEA801154-002	Rev. Ind 03
					Page 10 Next 11 Total 13	

SERIAL MEASUREMENT UNIT



We reserve all rights in this document and in the information contained therein. Reproduction, use or disclosure to third parties without express authority is strictly forbidden. © Copyright 2003 ABB

Latest revision:
Rev. 03:Wire type changed(4-5)

Prepared by, date: _____ Approved by, date: _____



Lab/Office:
PAW

SMB 4 axis
BRAKE ,PTC M9

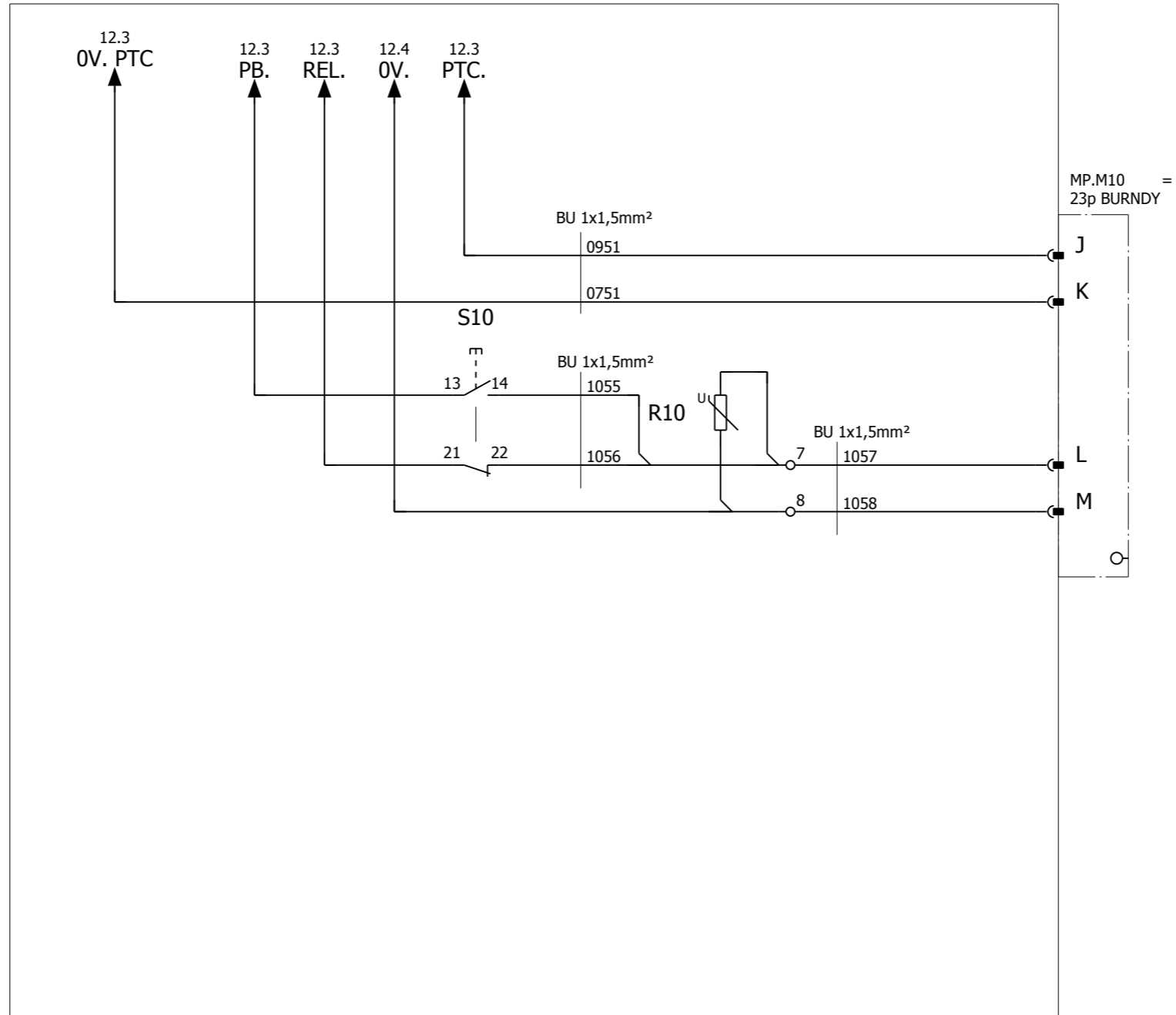
Status:
APPROVED

Plant: =
Location: +
Sublocation: +

Document no.
3HEA801154-002

Rev. Ind	Page 12
03	Next 13
	Total 13

SERIAL MEASUREMENT UNIT



We reserve all rights in this document and in the information contained therein. Reproduction, use or disclosure to third parties without express authority is strictly forbidden. © Copyright 2003 ABB

Latest revision: Rev. 03:Wire type changed(4-5)	Prepared by, date:	Approved by, date:		Lab/Office: PAW	SMB 4 axis BRAKE ,PTC M10	Status: APPROVED	Plant: = Location: + Sublocation: +	Document no. 3HEA801154-002	Rev. Ind 03	Page 13 Next Total 13